



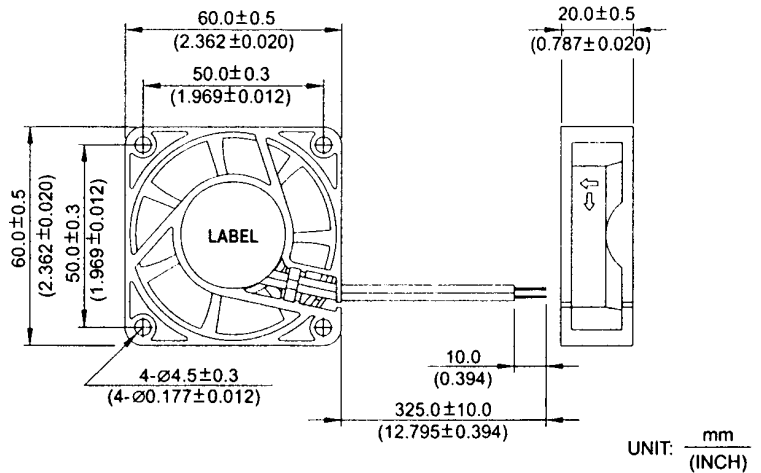
USTF6020 Series

Size: 2.36 in sq. x 0.79 in. thk
(60mm sq. x 20mm thk.)

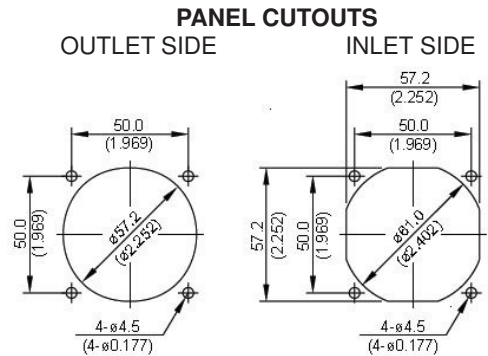
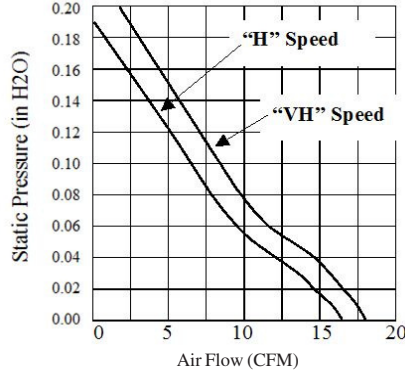
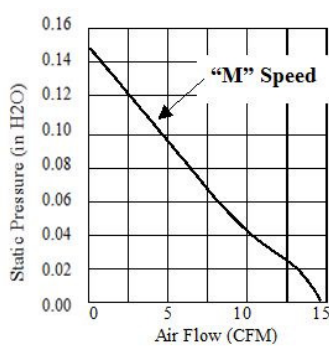
Airflow: 14.4 - 18.4 CFM

Acoustical Noise: 26 - 31 dB (A)

- MATERIAL:** Frame - Black PBT (UL 94V-0)
Bearings - Ball
Impeller - Black PBT (UL 94V-0)
- WEIGHT:** 2.1 oz. (62g)
- TERMINATION:** Lead Wires (UL 1007, AWG24 or equivalent)
- OPERATION TEMPERATURE:** -10° to +70° C
- INSULATION RESISTANCE:** 10 megohms min @ 500 VDC
- DIELECTRIC STRENGTH:** 500 VAC for 1 min.
- INSULATION:** Class A
- SAFETY:** Impedance & Polarity Protected
- SAFETY APPROVALS:** UL, CSA & CE
- OPERATING VOLTAGE:** 5 VDC (4.5 to 5.5)
12 VDC (7 to 13.8)
24 VDC (14 to 27.6)



PERFORMANCE CURVES: (Obtained with test chamber and methods in accordance with AMCA Std. 210-74)



SPECIFICATIONS: (All values are typical)

*Amps values shown are typical running. Fan labels show higher max values

PART NUMBER	VOLTS	WATTS	AMPS *	RPM	NOISE dB (A) @ 1M	CFM
USTF602005MW	5VDC	0.95	0.19	3600	26.0	14.8
USTF602012VHW	12VDC	1.80	0.15	4400	31.0	18.4
USTF602012HW	12VDC	1.32	0.11	4000	28.0	16.6
USTF602012MW	12VDC	1.08	0.09	3600	26.0	14.8
USTF602024VHW	24VDC	1.68	0.07	4400	31.0	18.4
USTF602024HW	24VDC	1.20	0.05	4300	28.0	16.6
USTF602024MW	24VDC	0.96	0.04	3600	26.0	14.8

MODELS AVAILABLE ON REQUEST:

Failure Detector - rotation sensing - Add Suffix "SR" to part number
Speed Controller - tach output - Add Suffix "SF" to part number