



TAC8025 Series

Size: 3.15 in sq. x 1.0 in. thk
(80mm sq. x 25mm thk.)

Airflow: 18 - 23 CFM

Acoustical Noise: 29 - 33 dB (A)

MATERIAL: Frame - Aluminum Alloy, Painted Black Finish
Bearings - Sealed Ball
Impeller - UL94V-0 Plastic

WEIGHT: 8.1 oz. (230g)

TERMINATION: Lead wires (Terminals not available)

OPERATION TEMPERATURE: -20° to +80° C

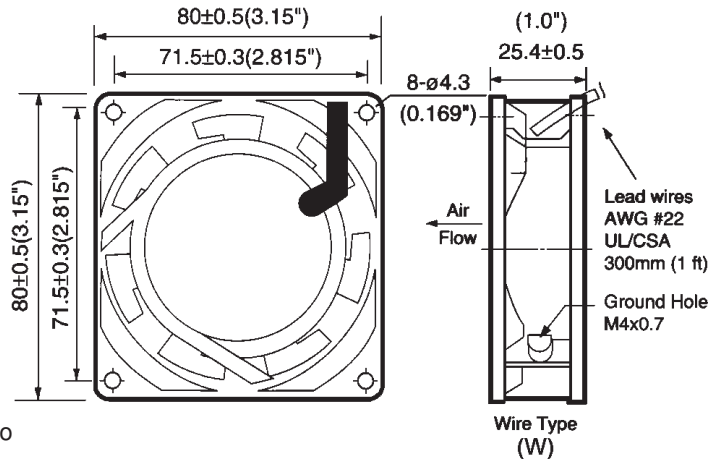
INSULATION RESISTANCE: 10 Megohms min @ 500 VDC

DIELECTRIC STRENGTH: 1,500 VAC for 1 min.

INSULATION: Class B

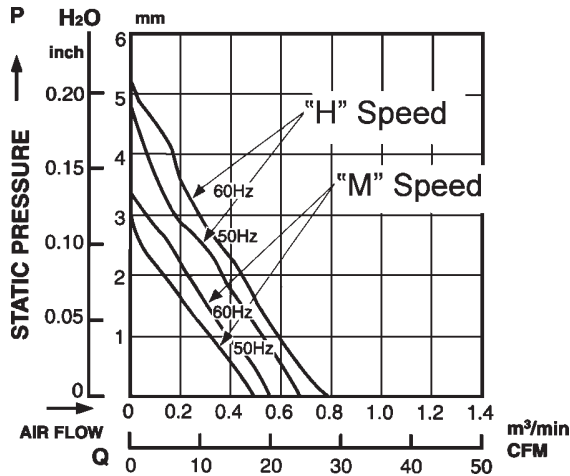
SAFETY: Impedance Protected

SAFETY APPROVALS: UL 106227 & CSA LR702499 (Applies to single voltage models only)
CE (Applies to 230V models only)

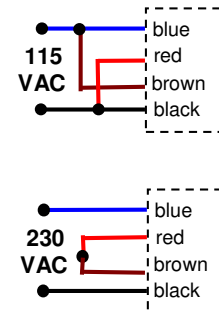


PERFORMANCE CURVES:

(Obtained with test chamber and methods in accordance with AMCA Std. 210-74)



**DUAL VOLTAGE MODEL
WIRING SCHEMATIC**



SPECIFICATIONS: (Based on 60 Hz Frequency)

| PART NUMBER | VOLTS | WATTS | mAMPS | RPM | NOISE dB (A) @ 1M | CFM |
|--------------|-----------|-------|-----------|------|----------------------|-----|
| TAC8025115HW | 115 | 14.0 | 170 | 2800 | 33 | 23 |
| TAC802511MW | 115 | 10.0 | 100 | 2500 | 29 | 18 |
| TAC8025230HW | 230 | 14.0 | 100 | 2800 | 33 | 23 |
| TAC8025230MW | 230 | 10.0 | 80 | 2500 | 29 | 18 |
| TAC8025345HW | 115 / 230 | 14.0 | 170 / 100 | 2800 | 33 | 23 |

NOTE: Standard models with wire leads. (Terminals not available)